



TD350L WHEELCHAIR LIFT

(HYDRO-TEK® POWER PACK)

The **TD350L** is an Internally mounted Wheelchair Lift designed for Small Vans & Buses where the door opening requires a smaller platform. This unique Wheelchair Lift provides a split platform “Walk Thru” design that allows access into the rear of the vehicle whilst it is stowed. The **TD350L** is a proven performer that combines Strength with Quality & Safety.

Easy to use

- Low profile ramp for easy loading of Wheelchairs.
- The kerbside, 4-button hand held controls for greater safety and flexibility.
- The platform is fitted with automatic roll stops at both ends of platform.
- The TD350L has a durable Split Folding Mesh platform making it safe for use in most conditions.
- Power unit is fitted with manually operated raise and lower facility to ensure that wheelchair can be loaded or unloaded in the unlikely event of power failure.

Great Value Investment

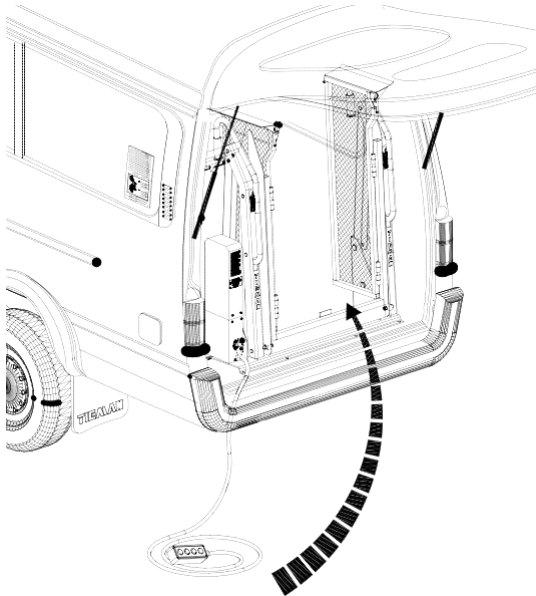
- Can be removed and re-installed when vehicle changeover occurs for maximum return on investment. Good retained value in second-hand market.
- The AVA' special power pack is installed conveniently inside the vehicle free from harmful weather & road debris.
- One of AVA's most popular Wheelchair Lifts.

Strength & Quality

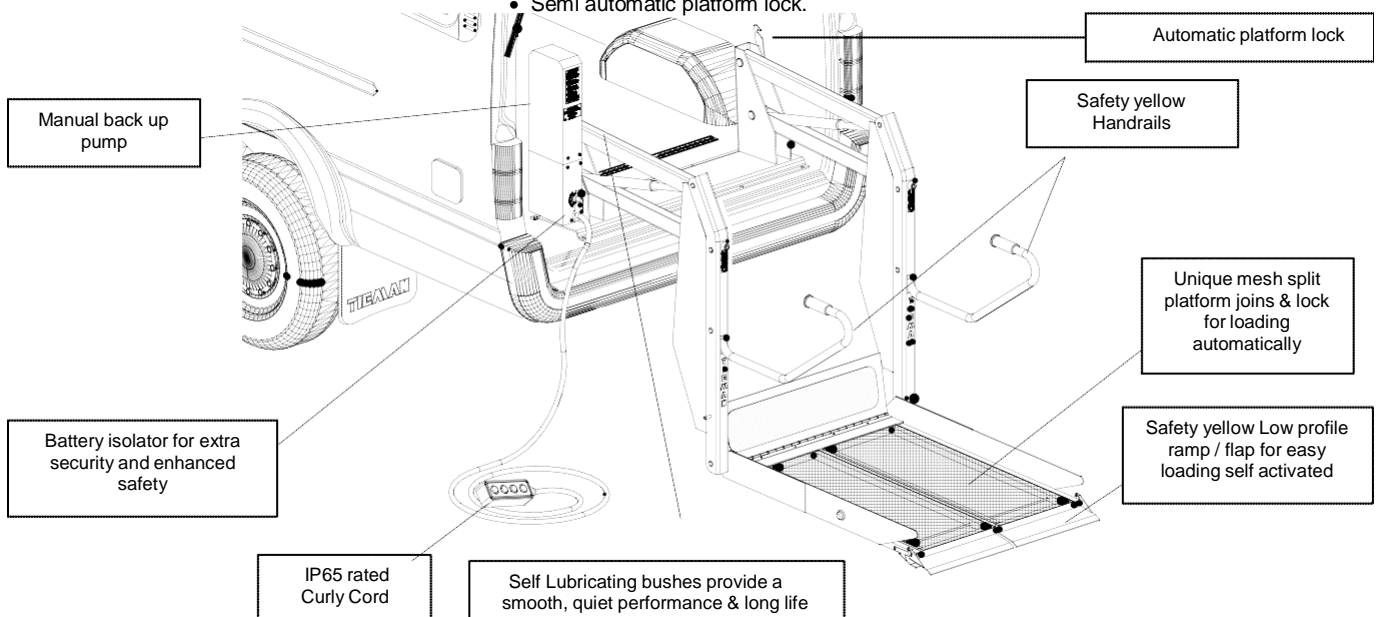
- Bolted directly onto reinforced vehicle floor with high tensile fasteners for maximum strength and load dissipation.
- Gravity down operation extends battery life and reduces wear on the motor and pump.
- Hydraulic cylinders fitted with fixed orifice thus preventing plummeting in the case of hose failure.
- Double wire-braided hoses resist kinks and hose burst.
- Bronze bushing and greasing provisions minimise friction at pivot points resulting in smooth, quiet operation, ease of use and long life.
- Hard wearing powder coated finish.
- Two (2) year conditional parts and labour warranty.

Safety comes first

- Meets and exceeds all facets of AS 3856 part 1 & 2 Hoists & Ramps for People with Disabilities – Vehicle Mounted.
- A battery isolator prevents unauthorised use of the unit.
- Hydraulic test point for safe and easy maintenance.
- Controls mounted on kerbside of vehicle.
- Comprehensive operating instructions and safety decals.
- A pressure relief valve prevents platform raising when overloaded.
- Remote controls permanently attached to power pack on the kerbside of vehicle.
- Allows ingress & egress of attendant or passengers through the doorway when the platform is stowed.
- Complete Risk analysis assessment provided within owner's manual.
- Semi automatic platform lock.



Unique split “Walk Thru” platform of TD350L in the stowed position





1300 133 353

www.avagroup.net.au



STANDARD SPECIFICATION TD350L

CAPACITY	350kg
PLATFORM	760mm W x 1070mm L
NOMINAL RAMP / SAFETY STOP LENGTH	127mm
NOMINAL BRIDGE PLATE / SAFETY STOP LENGTH	200mm
INSTALLED WEIGHT	160kg. (Nominal)
FITTING REQUIREMENTS	660mm Max Vehicle Bed Height
DOORWAY FITTING	300Depth x 1040Width x 1115 Height
REQ'D CLEAR DOOR OPENING	1060 Width x 1165 Height Min.
MAXIMUM PROJECTION (ADDS TO VEHICLE)	Nil
CONTROLS	Four (4) Button Hand Held Pendant c/w 3m Lead
OPERATION	
LIFT OPERATION	Power up/ Gravity down
SPEED DOWN	Pre Set Valve (100mm/sec)
HANDRAIL	Yes (Automatic Fold Down)
CLOSING OPERATION	Power Operated
SAFETY STOPS	Automatic
LOCKING DEVICE	Automatic Lock & Manual Unlock

THE AVA-GROUP ADVANTAGE

AVA's engineering excellence has earned its products the "Built to Last" reputation. Today, AVA is seen as a quality provider of vehicle access lifts & conversions. Our years of experience have been put to good use in product development, advice and service.

PROFESSIONAL SERVICE FOR ENHANCED LONGEVITY

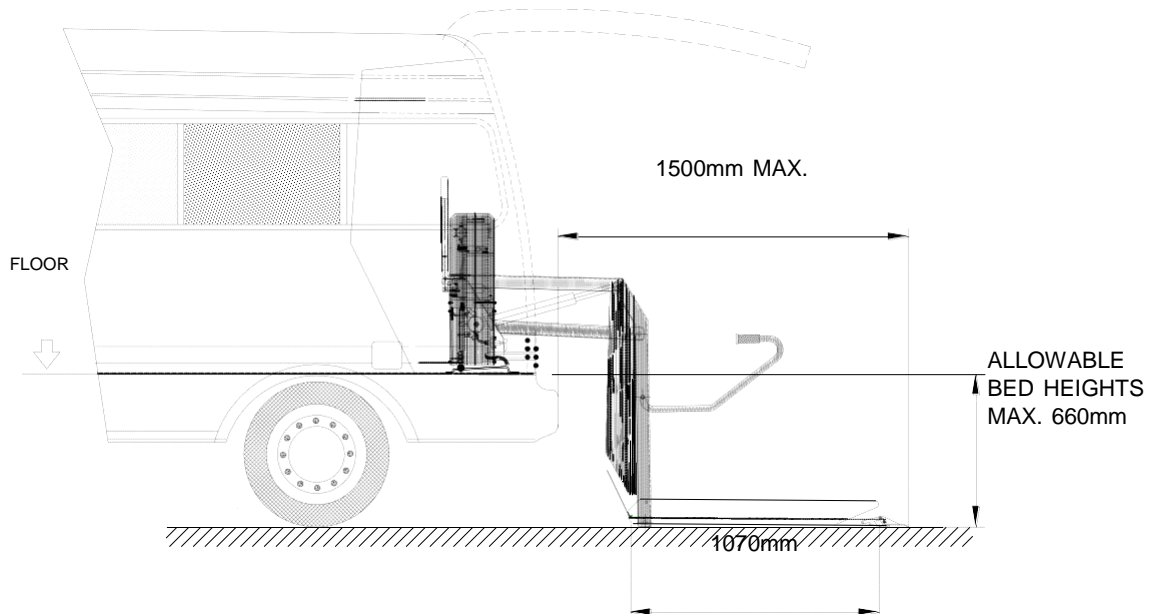
AVA's planned service agreements ensure regular and professional servicing for enhanced reliability and longevity. Your vehicle access lift is likely to outlast its vehicle if properly maintained and can be easily transferred at trade in time.

24 HOUR, 7 DAY SUPPORT, AUSTRALIA-WIDE

AVA's Fleet of service vehicles operates 24 hours a day, 7 days per week, around Australia. Factory trained technicians are always on call in case of emergency and the service vans carry a comprehensive range of genuine parts.

SPARE PARTS FAST

A large inventory of parts is kept at all times by AVA for swift delivery.





STANDARD SPECIFICATIONS - TD350L	
CAPACITY kg	350
NOMINAL EFFECTIVE PLATFORM DIMENSIONS mm	760 Width x 1070 Length
NOMINAL RAMP/SAFETY STOP LENGTH mm	127
NOMINAL BRIDGE PLATE/SAFETY STOP LENGTH mm	200
INSTALLED WEIGHT kg	160
FITTING REQUIREMENTS mm	660 Maximum Vehicle Bed Height*
DOORWAY FITTING mm	300 Depth x 1040 Width x 1115 Height
REQ'D CLEAR DOOR OPENING mm	1060 Width x 1165 Height Min.
MAXIMUM EXTERNAL FOOTPRINT mm	950 Width x 1500 Length (Nominal)
ADDS TO VEHICLE mm	Nil

OTHER SPECIFICATIONS	
PLATFORM	
Surface	STEEL MESH
Side Skirts (Height & Thickness) mm	90 x 5
Ramp Angle	23% or 13°
BASE ASSEMBLY	
Construction	4 mm Pressed Steel
Re-Bushable	Yes
PINS	
Material	Ø20 Dia High Grade Bar
BUSHES	
SELF LUBRICATING	
HYDRAULIC	
Power Pack	HYDRO-TEK ®
Manual Raise/Lower Override	Standard
Motor Size	0.8 kW
Cylinder Quantity	2
Cylinder Size (Dia x Stroke) mm	Ø25 x 305
Hoses	6mm Wire Braid
Flow Control	Pre Set Valve
Oil Type	ISO Grade 22 Hydraulic Oil
OPERATION	
Operation	Power up/Gravity down
Speed Down	Pre Set Valve In Cylinders (100mm/sec)
Closing Operation	Power Operated
Safety Stops	Automatic
Safety Rails	Automatic Fold & Unfold
Locking Device	Automatic Lock
CONTROLS	
Battery Isolation Switch	Yes (Inside Vehicle)
Remote	Four (4) Button Hand Held Pendant c/w 3m Lead
HANDRAILS	
Yes (Automatic Fold Down)	

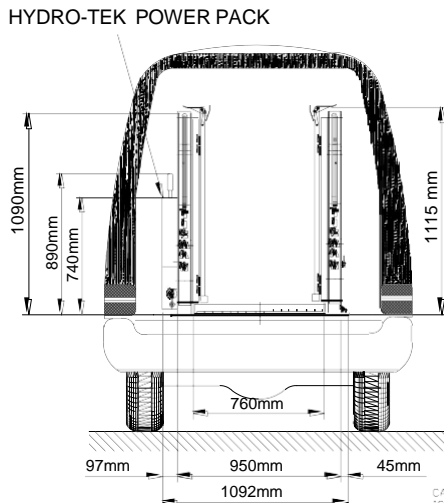
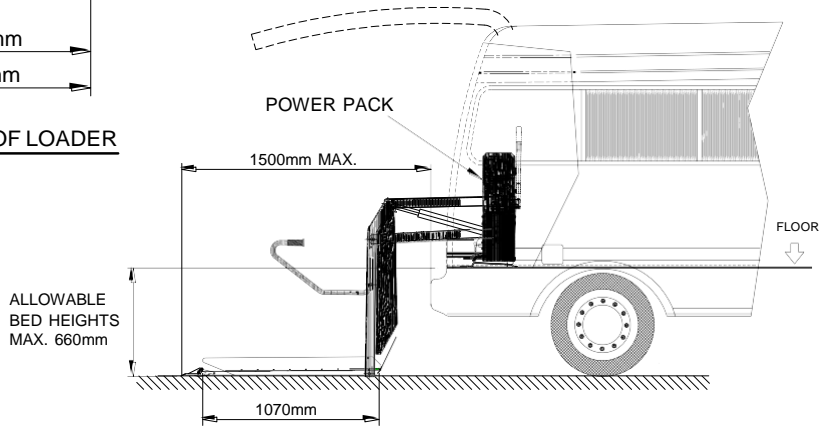
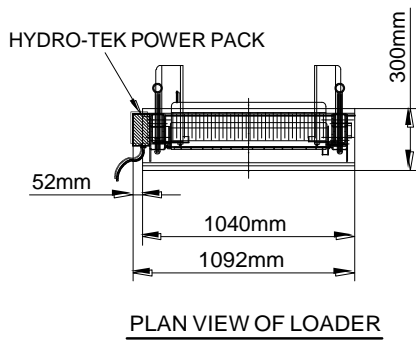
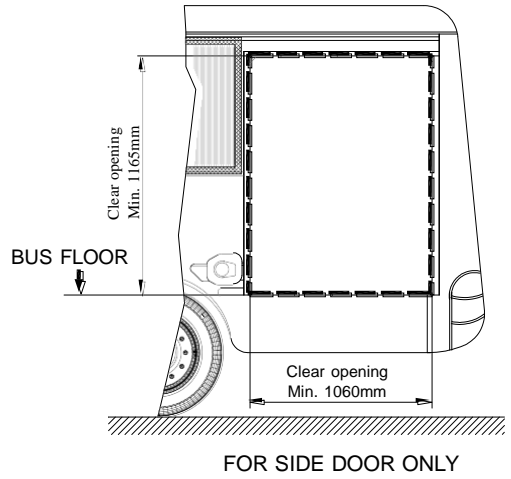
*Subject to Rear Door Details

DUE TO OUR POLICY OF CONTINUAL IMPROVEMENT, AVA RESERVES THE RIGHT TO ALTER SPECIFICATIONS WITHOUT NOTICE.

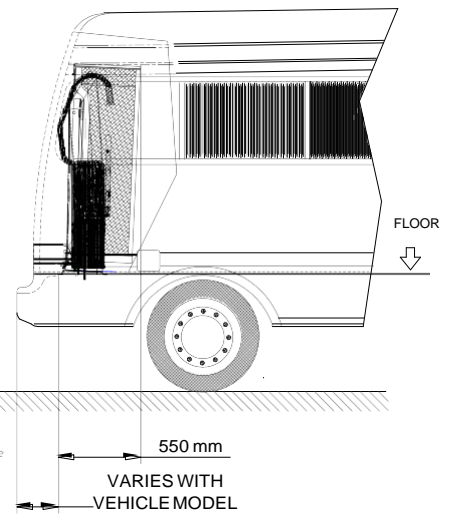
MODEL: TD 350L

DIMENSIONAL INFORMATION

CAPACITY: 350 KG
 EFFECTIVE PLATFORM DIMENSIONS:
 WIDTH: 760mm
 LENGTH: 1070mm



CAD FILE: M-TFB-92_e
 ISSUE:9/4/08



DUE TO OUR POLICY OF CONTINUAL IMPROVEMENT, AVA RESERVES THE RIGHT TO ALTER SPECIFICATIONS WITHOUT NOTICE.