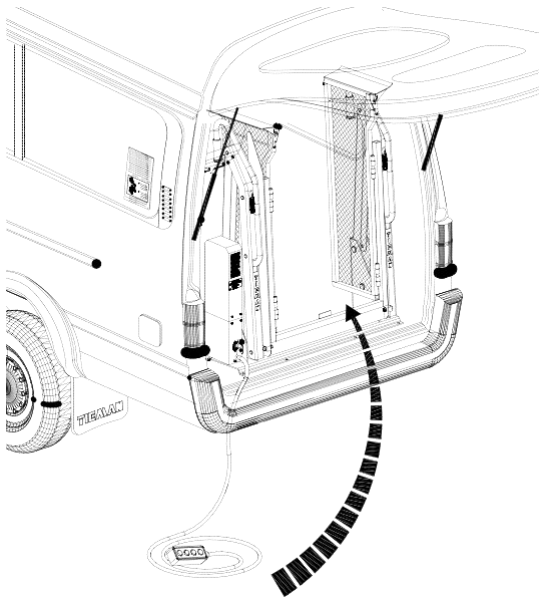




“EVOLUTION SERIES” E-7000-VSP (Vertical Split Platform)

FULLY AUTOMATIC WHEELCHAIR LIFT – REAR LOADING

The **E-7000-VSP** Internal Vertical Split Platform is a Unique Wheelchair Lift that provides a “Walk-Thru” Platform Design that allows access into the rear of the vehicle whilst it is stowed. With full compliance to the Public Transport Lift Specifications, this is a very versatile product. The **E-7000-VSP** is a proven performer that combines Strength, Quality, & Safety, as well as practicality. ****Tested To 7000 Cycles at Full Capacity****



Unique Split “Walk Thru” Platform Design of the E-7000-VSP in the stowed position

Easy to use

- Low profile ramp for easy loading of Wheelchairs.
- Magnetic H-Duty Curly Cord 4-button hand held controls for greater safety and flexibility.
- The platform is fitted with automatic roll stops at both ends of platform.
- The **E-7000-VSP** has a durable non-slip folding mesh platform making it safe for use in most conditions.
- Power unit is fitted with manually operated raise and lower facility to ensure that wheelchair can be loaded or unloaded in the unlikely event of power failure.

Great Value Investment

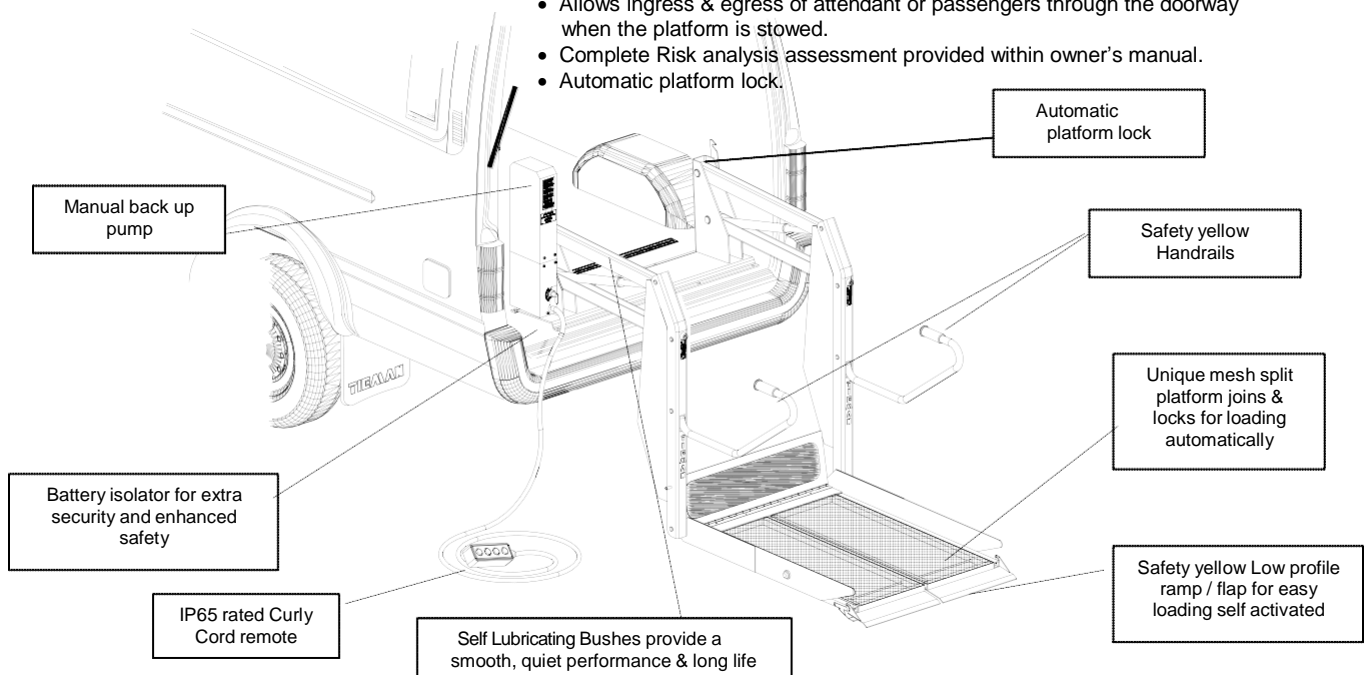
- Can be removed and re-installed when vehicle changeover occurs for maximum return on investment. Good retained value in second-hand market.
- **AVA's** special power pack is installed conveniently inside the vehicle free from harmful weather & road debris.
- One of **AVA's** most popular Wheelchair Loaders.

Strength & Quality

- Bolted directly onto reinforced vehicle floor with high tensile fasteners for maximum strength and load dissipation.
- Gravity down operation extends battery life and reduces wear on the motor and pump.
- Hydraulic cylinders fitted with fixed orifice thus preventing plummeting in the case of hose failure.
- Double wire-braided hoses resist kinks and hose burst.
- Self Lubricating Bushes minimise friction at pivot points resulting in smooth, quiet operation, ease of use and long life.
- Hard wearing powder coated finish.
- Two (2) year conditional parts and labour warranty.

Safety comes first

- Meets and exceeds all facets of AS 3856 part 1 & 2 Hoists & Ramps for People with Disabilities – Vehicle Mounted.
- A battery isolator prevents unauthorised use of the unit.
- Hydraulic test point for safe and easy maintenance.
- Controls mounted on kerbside of vehicle.
- Comprehensive operating instructions and safety decals.
- A pressure relief valve prevents platform raising when overloaded.
- Remote controls permanently attached to power pack on the kerbside of vehicle.
- Allows ingress & egress of attendant or passengers through the doorway when the platform is stowed.
- Complete Risk analysis assessment provided within owner’s manual.
- Automatic platform lock.





**STANDARD SPECIFICATION
E-7000-VSP**

CAPACITY	350kg
PLATFORM	850mm W x 1300mm L
NOMINAL RAMP / SAFETY STOP LENGTH	127mm
NOMINAL BRIDGE PLATE / SAFETY STOP LENGTH	270mm
INSTALLED WEIGHT	160kg . (Nominal)
FITTING REQUIREMENTS	1070mm Max Vehicle Bed Height
DOORWAY FITTING	615Depth x 1200Width x 1400 Height
REQ'D CLEAR DOOR OPENING	1290 Width x 1450 Height Min.
MAXIMUM PROJECTION (ADDS TO VEHICLE)	Nil
CONTROLS	Four (4) Button Hand Held Pendant c/w 3m Lead
OPERATION	
LIFT OPERATION	Power up/ Gravity down
SPEED DOWN	Pre Set Valve (100mm/sec)
HANDRAIL	Yes (Automatic Fold Down)
CLOSING OPERATION	Power Operated

THE AVA-GROUP ADVANTAGE

DEAL WITH THE SPECIALISTS FOR EXPERTISE AND QUALITY

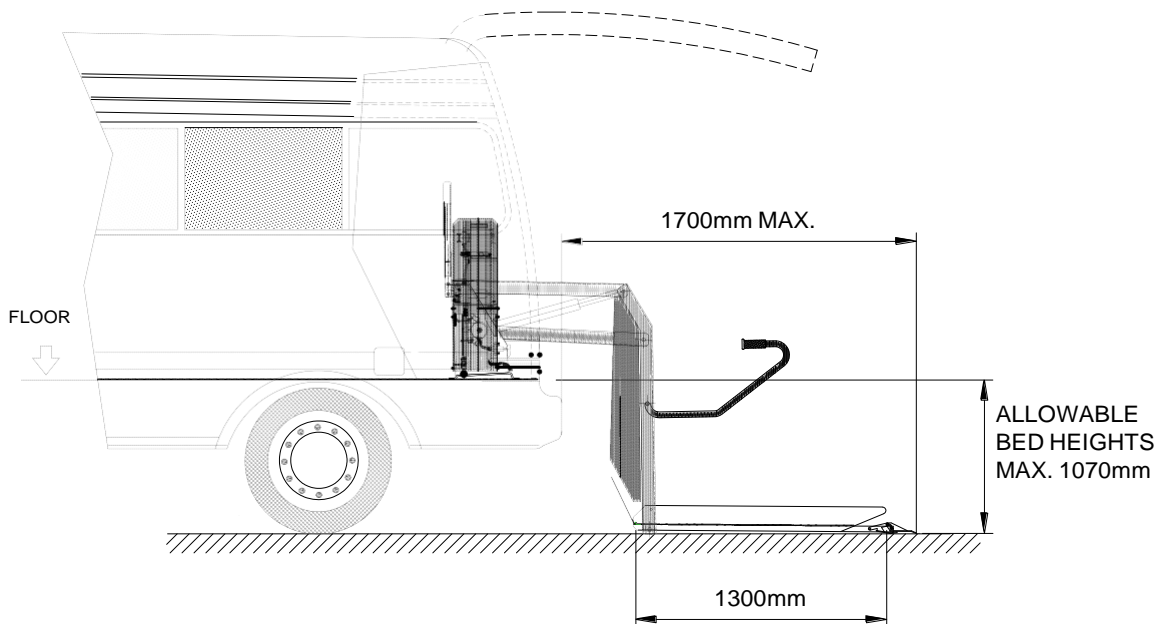
AVA's engineering excellence has earned its products the "Built to Last" reputation. Today, **AVA Group** is seen as a quality provider of Vehicle access lifts & conversions. Our years of experience have been put to good use in product development, advice and service.

PROFESSIONAL SERVICE FOR ENHANCED LONGEVITY

AVA's planned service agreements ensure regular and professional servicing for enhanced reliability and longevity. Your vehicle access lift is likely to outlast its vehicle if properly maintained and can be easily transferred at trade in time.

24 HOUR, 7 DAY SUPPORT, AUSTRALIA-WIDE

AVA operates 24 hours a day, 7 days per week, around Australia. Factory trained technicians are always on call in case of emergency and the service vans carry a comprehensive range of genuine parts. A comprehensive stock of Spare Parts is also available Nationally.



DUE TO OUR POLICY OF CONTINUAL IMPROVEMENT, AVA RESERVES THE RIGHT TO ALTER SPECIFICATIONS WITHOUT NOTICE.



STANDARD SPECIFICATIONS – E-7000-VSP

CAPACITY kg	350
NOMINAL EFFECTIVE PLATFORM DIMENSIONS mm	850 Width x 1300 Length
NOMINAL RAMP/SAFETY STOP LENGTH mm	127
NOMINAL BRIDGE PLATE/SAFETY STOP LENGTH mm	270
INSTALLED WEIGHT kg	160
FITTING REQUIREMENTS mm	1070 Maximum Vehicle Bed Height*
DOORWAY FITTING mm	615 Depth x 1200 Width x 1400 Height
REQ'D CLEAR DOOR OPENING mm	1290 Width x 1450 Height Min.
MAXIMUM EXTERNAL FOOTPRINT mm	1043 Width x 1580 Length (Nominal)
ADDS TO VEHICLE mm	Nil

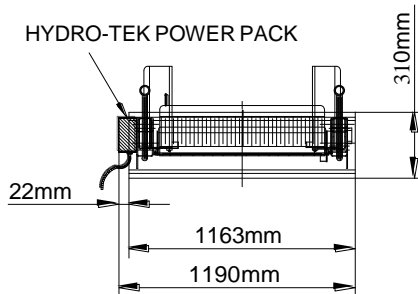
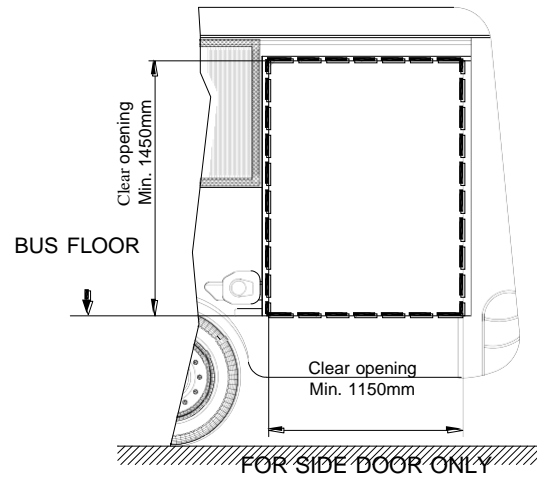
OTHER SPECIFICATIONS

PLATFORM	
Surface	STEEL MESH
Side Skirts (Height & Thickness) mm	90 x 5
Ramp Angle	23% or 13°
BASE ASSEMBLY	
Construction	4 mm Pressed Steel
Re-Bushable	Yes
PINS	
Material	Ø20 Dia High Grade Bar
BUSHES HYDRAULIC	
SELF LUBRICATING	
Power Pack	Hydro-Tek®
Manual Raise/Lower Override	Standard
Motor Size	0.8 Kw
Cylinder Quantity	2
Cylinder Size (Dia x Stroke) mm	Ø25 x 305
Hoses	6mm Wire Braid
Flow Control	Pre Set Valve
Oil Type	ISO Grade 22 Hydraulic Oil
OPERATION	
Operation	Power up/Gravity down
Speed Down	Pre Set Valve In Cylinders (100mm/sec)
Closing Operation	Power Operated
Safety Stops	Automatic
Safety Rails	Automatic Fold & Unfold
Locking Device	Automatic Lock
CONTROLS	
Battery Isolation Switch	Yes (Inside Vehicle)
Remote	Four (4) Button Hand Held Pendant c/w 3m Lead
HANDRAILS	Yes (Automatic Fold Down)

DUE TO OUR POLICY OF CONTINUAL IMPROVEMENT, AVA RESERVES THE RIGHT TO ALTER SPECIFICATIONS WITHOUT NOTICE.

“EVOLUTION SERIES” E-7000-VSP

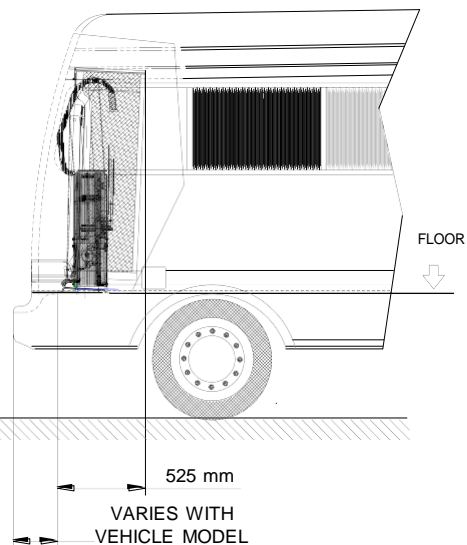
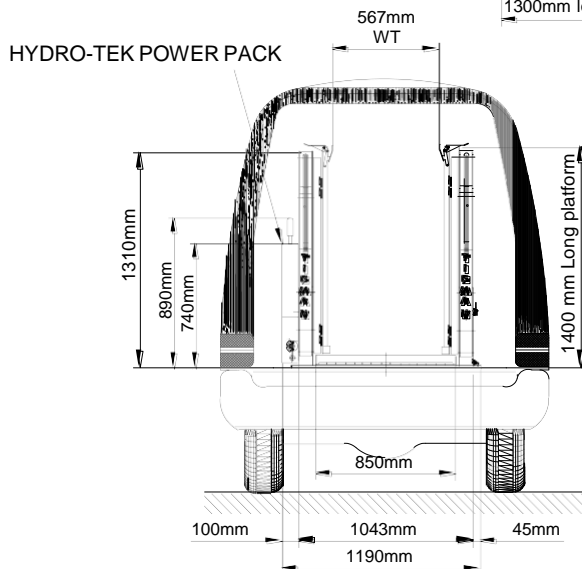
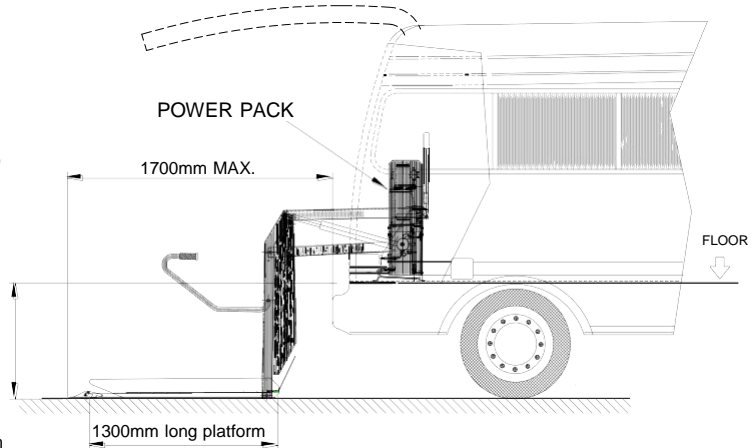
CAPACITY: 350 KG
EFFECTIVE PLATFORM DIMENSIONS:
WIDTH: 850mm
LENGTH: 1300mm



PLAN VIEW OF LOADER

ALLOWABLE
BED HEIGHTS
MAX 1070mm
(SUBJECT TO VEHICLE

DOOR DETAILS)



CAD FILE: M-TPB-92_F_HLWT
ISSUE:0/5/08