



“EVOLUTION SERIES” E-7000 – FPP

FULLY AUTOMATIC WHEELCHAIR LIFT – SIDE LOADING

The **E-7000-FPP** Internal Full Piece Platform Wheelchair Lift is designed for small and large buses. With full compliance to the Public Transport Lift platform specifications, the **E-7000-FPP** is a proven performer that combines Strength with Quality & Safety. ****Tested To 7000 Cycles at Full Capacity****

Easy to use

- Low profile ramp for easy loading of Wheelchairs.
- The kerbside, 4-button hand held controls for greater safety and flexibility.
- The platform is fitted with automatic roll stops at both ends of platform.
- **E-7000-FPP** has durable non-slip mesh platform making it safe for use in most conditions.
- Power unit is fitted with manually operated raise and lower facility to ensure that wheelchair can be loaded or unloaded from vehicle in the unlikely event of power failure.

Great value investment

- Can be removed and re-installed when vehicle changeover occurs for maximum return on investment. Good retained value in second-hand market.
- **AVA's** special power pack is installed conveniently inside the vehicle free from harmful weather & road debris.
- One of **AVA's** most popular Wheelchair Loaders.

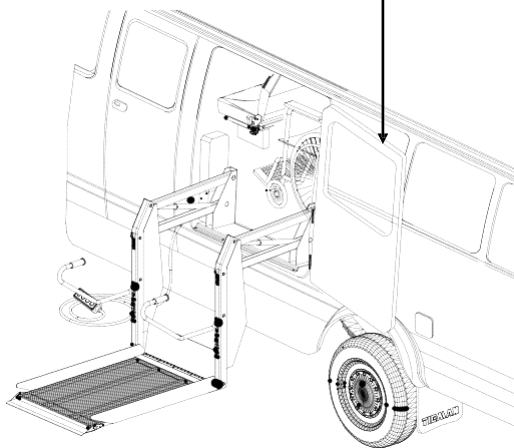
Strength & Quality

- Bolted directly onto reinforced vehicle floor with high tensile fasteners for maximum strength and load dissipation.
- Gravity down operation extends battery life and reduces wear on the motor and pump.
- Hydraulic cylinders fitted with fixed orifice thus preventing plummeting in the case of hose failure.
- Double wire-braided hoses resist kinks and hose burst.
- Self Lubricating Bushes minimise friction at pivot points resulting in smooth, quiet operation, ease of use and long life.
- Hard wearing powder coated finish.
- Two (2) year conditional parts and labour warranty.

Safety comes first

- Meets and exceeds all facets of AS 3856 part 1 & 2 Hoists & Ramps for People with Disabilities – Vehicle Mounted.
- A battery isolator prevents unauthorised use of the unit.
- Hydraulic test point for safe and easy maintenance.
- Controls mounted on kerbside of vehicle.
- Comprehensive operating instructions and safety decals.
- A pressure relief valve prevents platform raising when overloaded.
- Remote controls permanently attached to power pack on the kerbside of vehicle.
- Complete Risk analysis assessment provided within owner's manual.
- Automatic platform lock.

**E-7000-FPP
MID. SHIP DOOR OPTION**



**E-7000-FPP
MID. Ship door position
(Passenger side)**

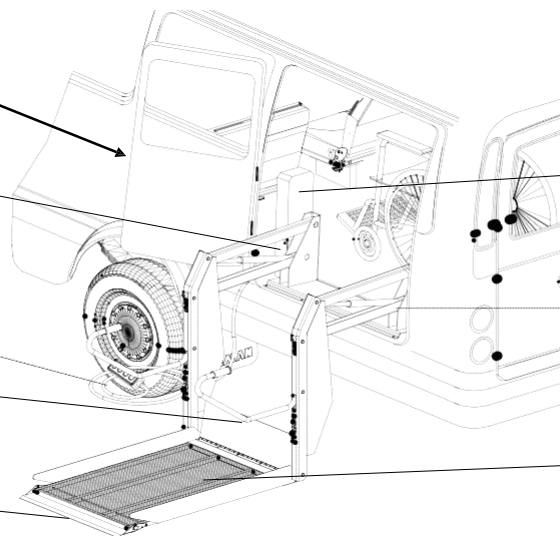
**E-7000-FPP
PASSENGER SIDE REAR
DOOR OPTION**

Battery isolator for extra security and enhanced safety

IP65 rated Curly Cord remote control

Safety yellow Handrails

Safety yellow Low profile ramp / flap for easy loading self activated



Power Pack & Manual back up pump

Self Lubricating Bushes provide a smooth, quiet performance & long life

Durable mesh one piece platform compliant to Public Transport size requirements



1300 133 353

www.avagroup.net.au



STANDARD SPECIFICATION E-7000-FPP

CAPACITY	350kg
PLATFORM	850mm W x 1300mm L
NOMINAL RAMP / SAFETY STOP LENGTH	127mm
NOMINAL BRIDGE PLATE / SAFETY STOP LENGTH	270mm
INSTALLED WEIGHT	160kg. (Nominal)
FITTING REQUIREMENTS	1070mm Max Vehicle Bed Height
DOORWAY FITTING	310Depth x 1070Width x 1400 Height
REQ'D CLEAR DOOR OPENING	1150 Width x 1450 Height Min.
MAXIMUM PROJECTION (ADDS TO VEHICLE)	Nil
CONTROLS	Four (4) Button Hand Held Pendant c/w 3m Lead
OPERATION	
LIFT OPERATION	Power up/ Gravity down
SPEED DOWN	Pre Set Valve (100mm/sec)
HANDRAIL	Yes (Automatic Fold Down)
CLOSING OPERATION	Power Operated
SAFETY STOPS	Automatic
LOCKING DEVICE	Automatic Lock & Manual Unlock

THE AVA GROUP ADVANTAGE

AVA's engineering excellence has earned its products the "Built to Last" reputation. Today, AVA is seen as a quality provider of vehicle access lifts & conversions. Our years of experience have been put to good use in product development, advice and service

PROFESSIONAL SERVICE FOR ENHANCED LONGEVITY

AVA's planned service agreements ensure regular and professional servicing for enhanced reliability and longevity. Your vehicle access lift is likely to outlast its vehicle if properly maintained and can be easily transferred at trade in time.

24 HOUR, 7 DAY SUPPORT, AUSTRALIA-WIDE

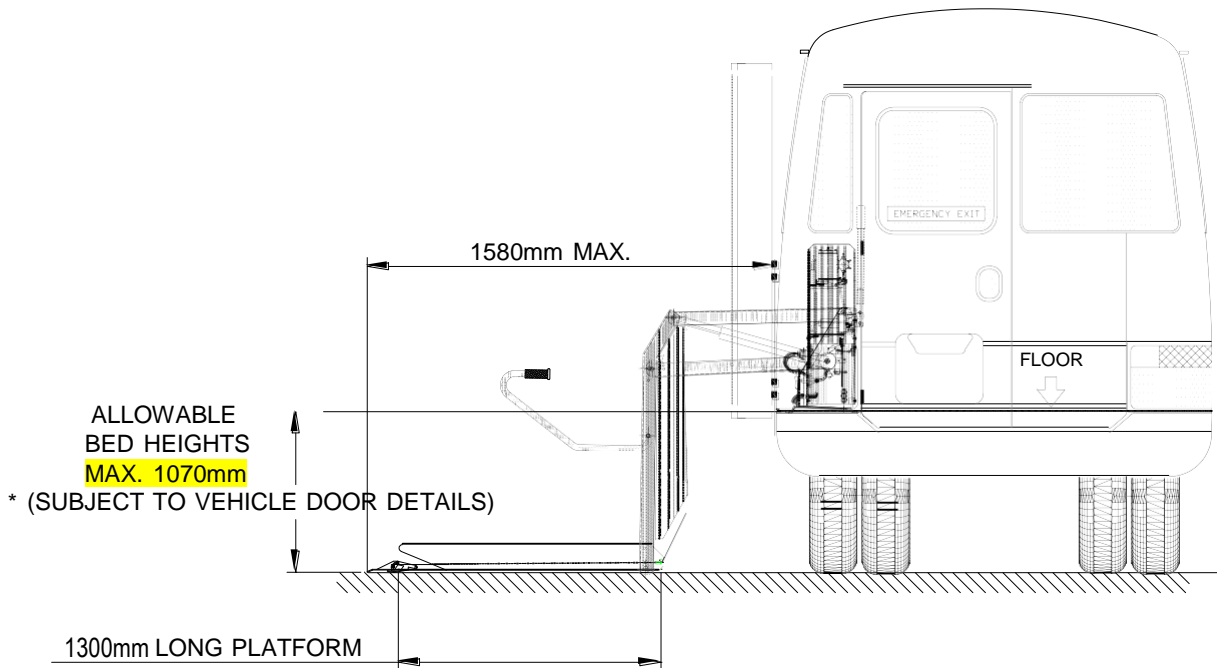
AVA's Service Division operates 24 hours a day, 7 days per week, around Australia. Factory trained technicians are always on call in case of emergency and the service vans carry a comprehensive range of genuine parts.

SPARE PARTS FAST

A large inventory of parts is kept at all times by AVA for swift delivery throughout Australia. All vehicle access lifts come with an owner's manual that includes operational instructions, maintenance tips and safety advice.

TRAINING FOR SAFETY

All Wheelchair Lift manuals include a risk analysis assessment in compliance with Plant Regulations. At your request, we will arrange for an on-site demonstration to all users of the correct and safe operation of the Wheelchair Lift.



DUE TO OUR POLICY OF CONTINUAL IMPROVEMENT, AVA RESERVES THE RIGHT TO ALTER SPECIFICATIONS WITHOUT NOTICE.



STANDARD SPECIFICATIONS - E-7000-FPP	
CAPACITY kg	350
NOMINAL EFFECTIVE PLATFORM DIMENSIONS mm	850 Width x 1300 Length
NOMINAL RAMP/SAFETY STOP LENGTH mm	127
NOMINAL BRIDGE PLATE/SAFETY STOP LENGTH mm	270
INSTALLED WEIGHT kg	160
FITTING REQUIREMENTS mm	1070 Maximum Vehicle Bed Height*
DOORWAY FITTING mm	310 Depth x 1070 Width x 1400 Height
REQ'D CLEAR DOOR OPENING mm	1150 Width x 1450 Height Min.
MAXIMUM EXTERNAL FOOTPRINT mm	1043 Width x 1580 Length (Nominal)
ADDS TO VEHICLE mm	Nil

OTHER SPECIFICATIONS	
PLATFORM	
Surface	STEEL MESH
Side Skirts (Height & Thickness) mm	90 x 5
Ramp Angle	23% or 13°
BASE ASSEMBLY	
Construction	4 mm Pressed Steel
Re-Bushable	Yes
PINS	
Material	Ø20mm Dia High Grade Bar
BUSHES	
SELF LUBRICATING	
HYDRAULIC	
Power Pack	HYDRO-TEK®
Manual Raise/Lower Override	Standard
Motor Size	0.8 kW
Cylinder Quantity	2
Cylinder Size (Dia x Stroke) mm	Ø25 x 305
Hoses	6mm Wire Braid
Flow Control	Pre Set Valve
Oil Type	ISO Grade 22 Hydraulic Oil
OPERATION	
Operation	Power up/Gravity down
Speed Down	Pre Set Valve In Cylinders (100mm/sec)
Closing Operation	Power Operated
Safety Stops	Automatic
Safety Rails	Automatic Fold & Unfold
Locking Device	Automatic Lock & Manual Unlock
CONTROLS	
Battery Isolation Switch	Yes (Inside Vehicle)
Remote	Four (4) Button Hand Held Pendant c/w 3m Lead
HANDRAILS	Yes (Automatic Fold Down)

*Subject to Rear Door Details

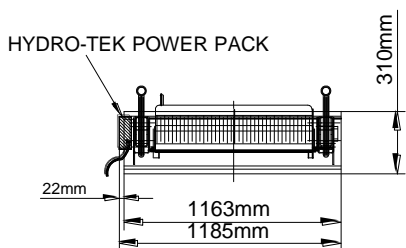
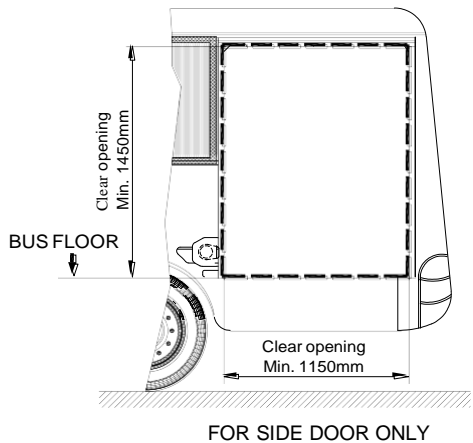
DUE TO OUR POLICY OF CONTINUAL IMPROVEMENT, AVA RESERVES THE RIGHT TO ALTER SPECIFICATIONS WITHOUT NOTICE.



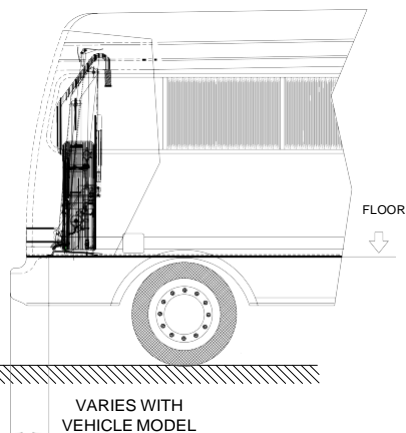
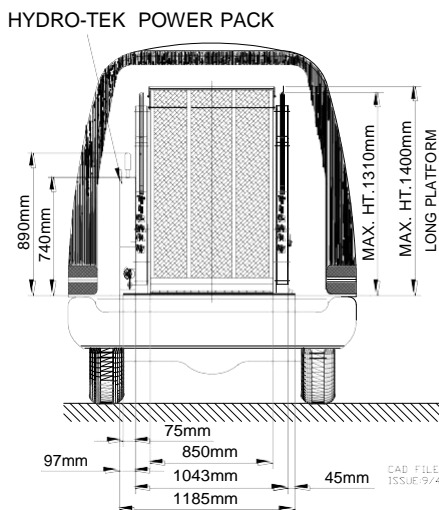
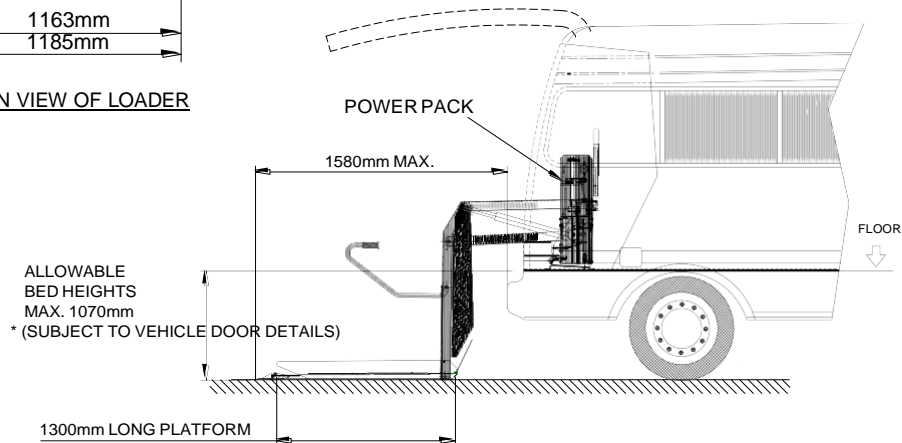
“EVOLUTION SERIES”: E-7000-FPP

DIMENSIONAL INFORMATION

CAPACITY:	350 KG
EFFECTIVE PLATFORM DIMENSIONS:	
WIDTH:	850mm
LENGTH:	1300mm



PLAN VIEW OF LOADER



CAD FILE: M-TPB-90_e
ISSUE: 9/4/08

DUE TO OUR POLICY OF CONTINUAL IMPROVEMENT, AVA RESERVES THE RIGHT TO ALTER SPECIFICATIONS WITHOUT NOTICE.